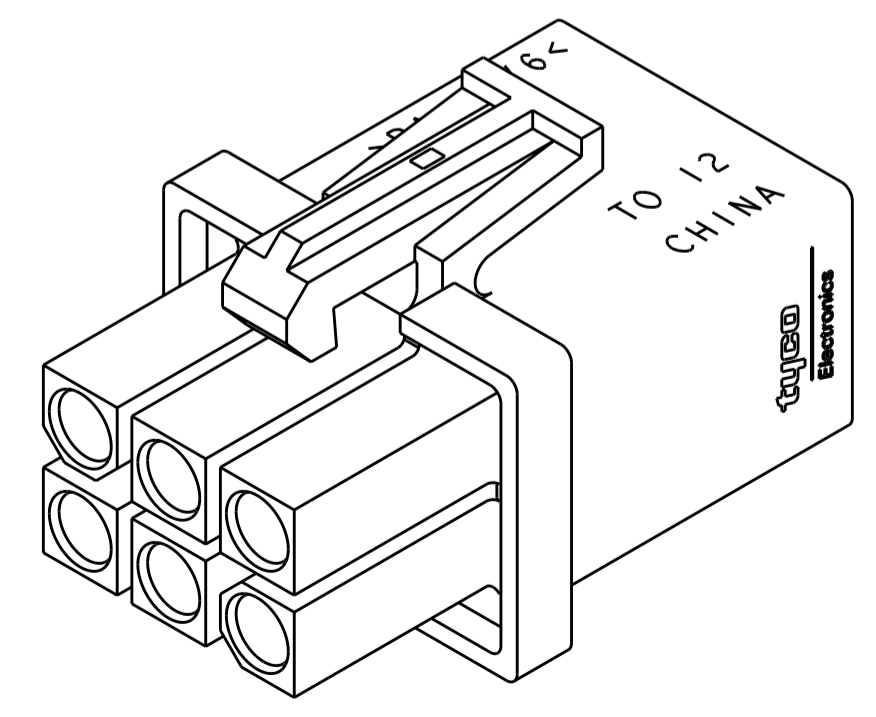
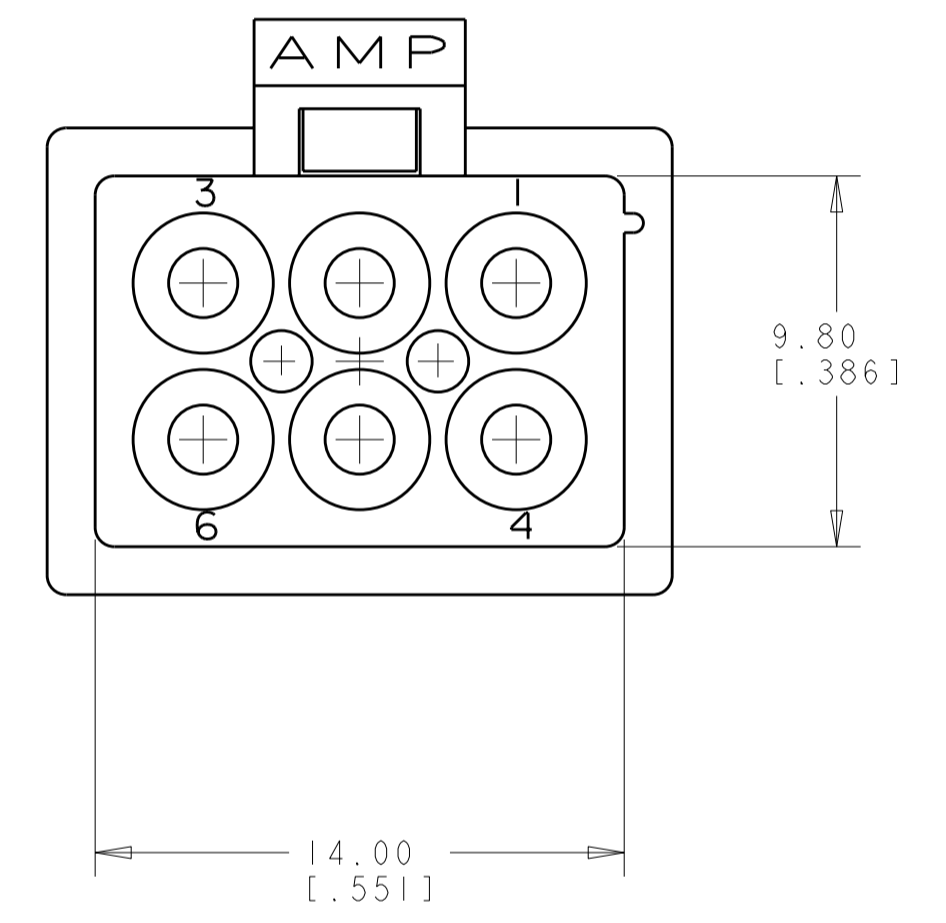
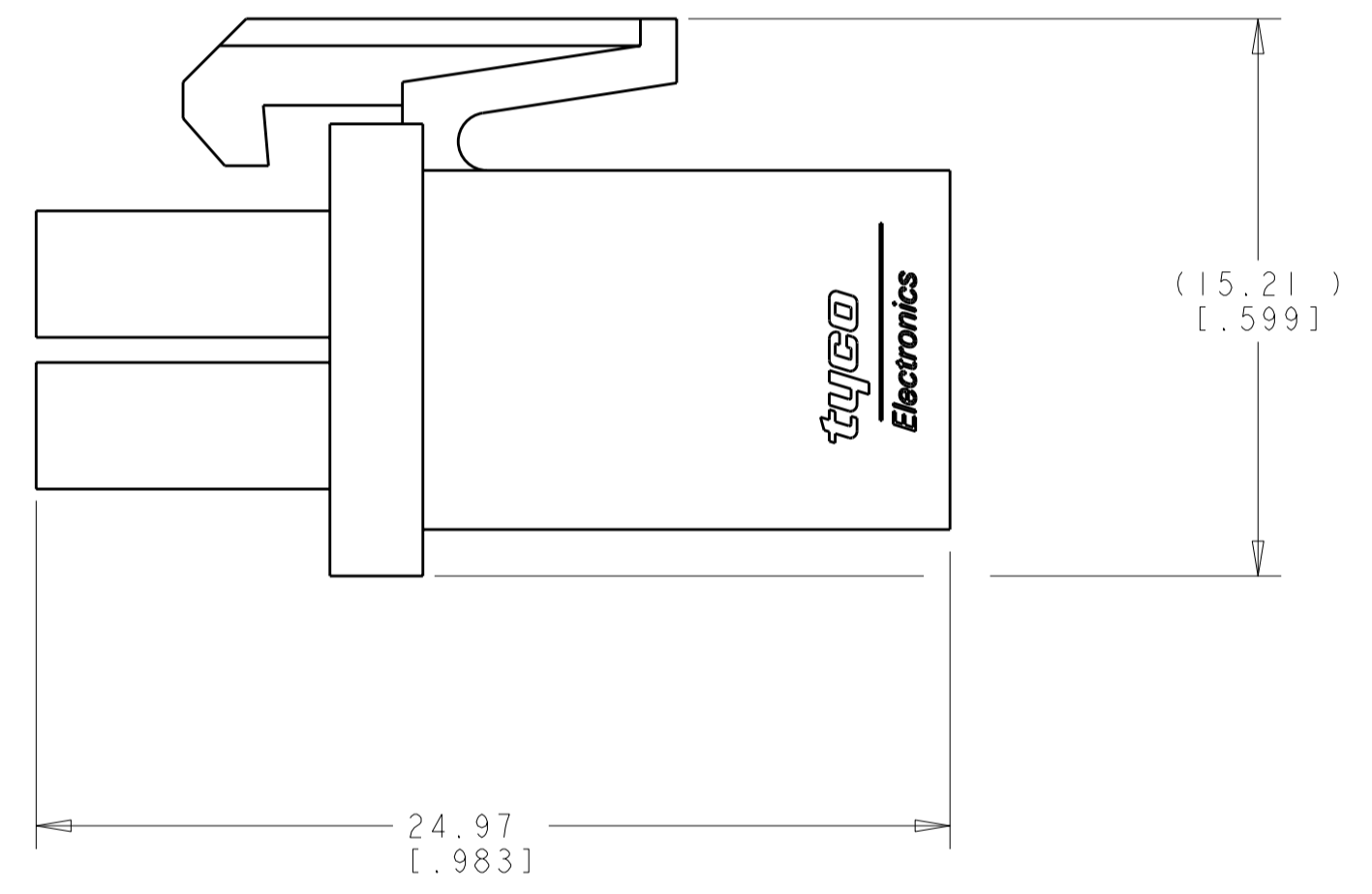
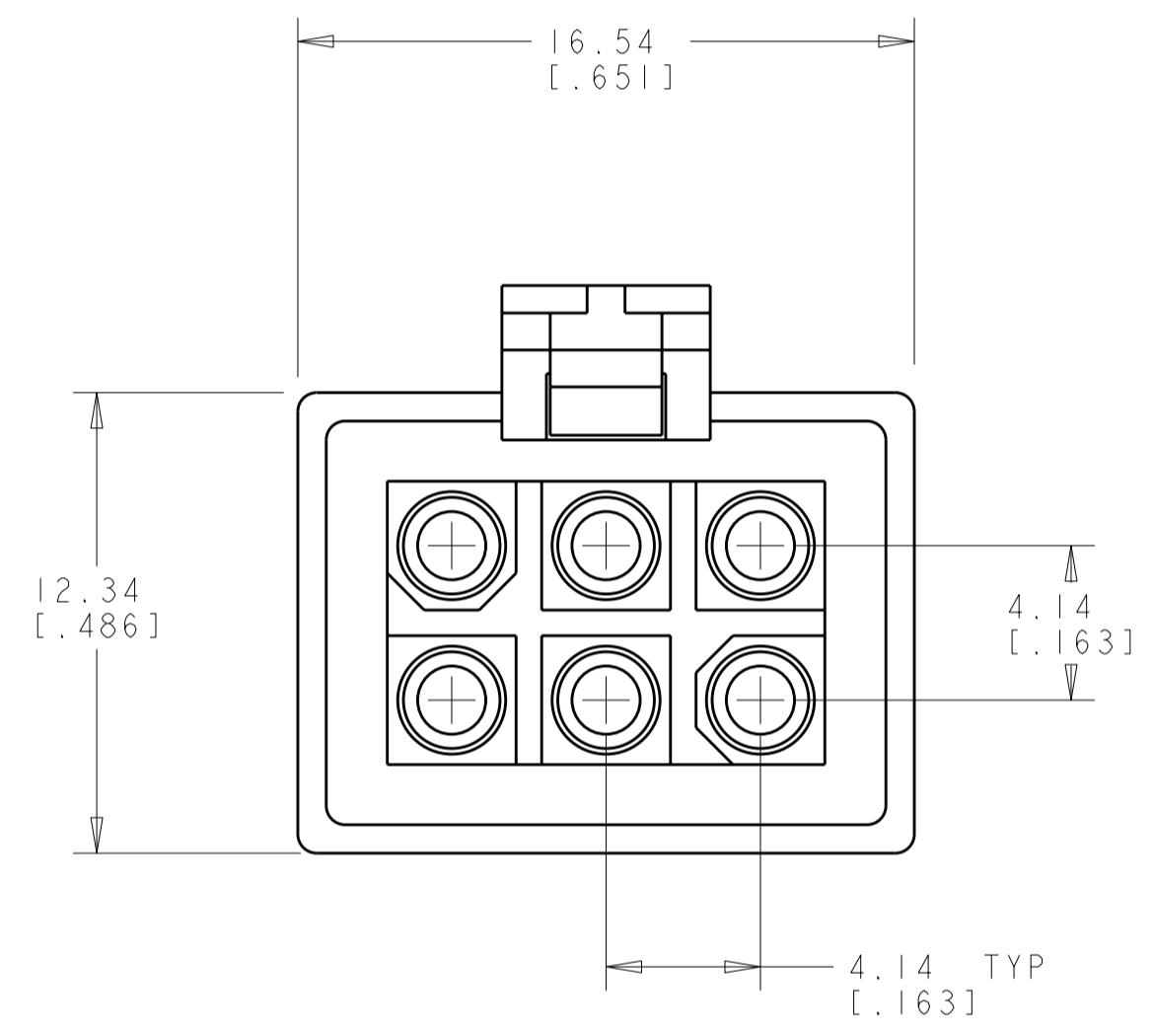


THIS DRAWING IS UNPUBLISHED. RELEASED FOR PUBLICATION 20
 © COPYRIGHT 20 BY - ALL RIGHTS RESERVED.

| LOC | DIST | REVISIONS | | | | | |
|-----|------|-----------|-----|---------------------------|-----------|-----|------|
| CM | 00 | P | LTR | DESCRIPTION | DATE | DWN | APVD |
| | | | BI | REVISED PER ECO-11-005027 | 14MAR2011 | RK | HMR |
| | | | | | | | |
| | | | | | | | |

1. DIMENSIONS IN BRACKETS ARE IN INCHES.



3 DIMENSIONAL MODEL
SCALE 4:1

METRIC

794895-1
PART NUMBER

| | | | | |
|--|--|-----------------------------------|--|--|
| THIS DRAWING IS A CONTROLLED DOCUMENT. | | DWN K. WHITAKER 11-FEB-2001 | TE Connectivity | |
| DIMENSIONS: mm [INCHES] | | CHK C. JONES 11-FEB-2001 | | |
| TOLERANCES UNLESS OTHERWISE SPECIFIED: | | APVD C. JONES 11-FEB-2001 | NAME PLUG, 6 CIRCUIT, MINI UNIVERSAL MATE-N-LOK(TM) | |
| 0 PLC ±- 1 PLC ±- 2 PLC ±013 [.005] 3 PLC ±- 4 PLC ±- ANGLES ±0°30' FINISH | | PRODUCT SPEC - | SIZE A200779C-794895 | |
| MATERIAL NYLON, UL 94V-0, WHITE | | APPLICATION SPEC - | DRAWING NO 794895 | |
| | | WEIGHT - | RESTRICTED TO - | |
| | | CUSTOMER DRAWING | SCALE 5:1 SHEET 1 OF 1 REV BI | |